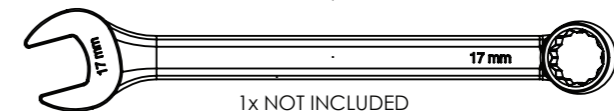
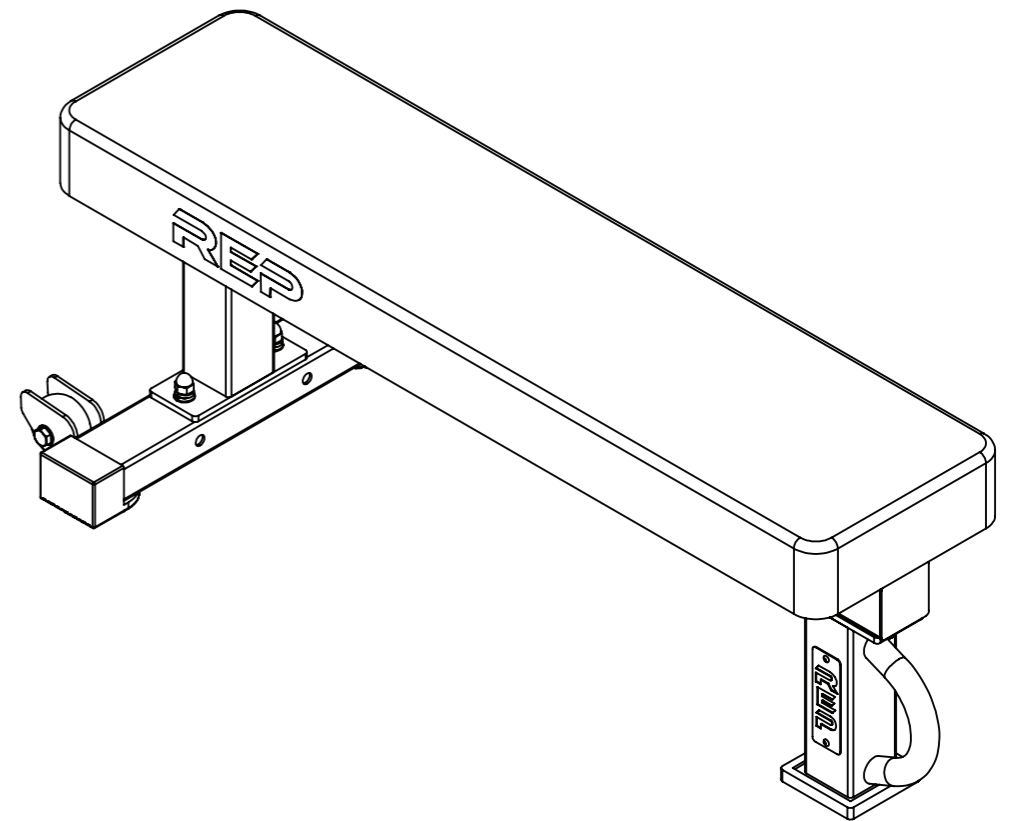


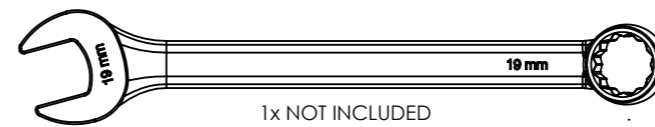
REP

ASSEMBLY INSTRUCTIONS

FB-5002



1x NOT INCLUDED



1x NOT INCLUDED

DO NOT FULLY TIGHTEN ANY HARDWARE UNTIL STEP 4

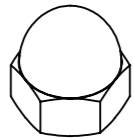


STILL NEED HELP WITH ASSEMBLY?
VISIT OUR ASSEMBLY LIBRARY HERE:
HELP.REPFITNESS.COM

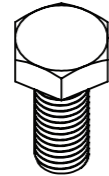
PARTS LIST



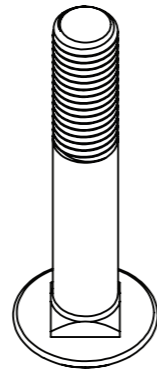
M12
10-0419
STEP 1 X4



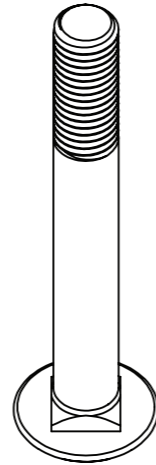
M12
10-0429
STEP 2 X2



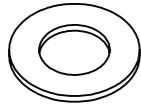
M10, L25
10-0465
STEP 3 X4



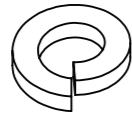
M12, L75
10-0462
STEP 2 X2



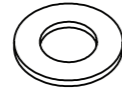
M12, L100
10-0463
STEP 1 X4



M12
10-0418
STEPS 1 & 2 X6



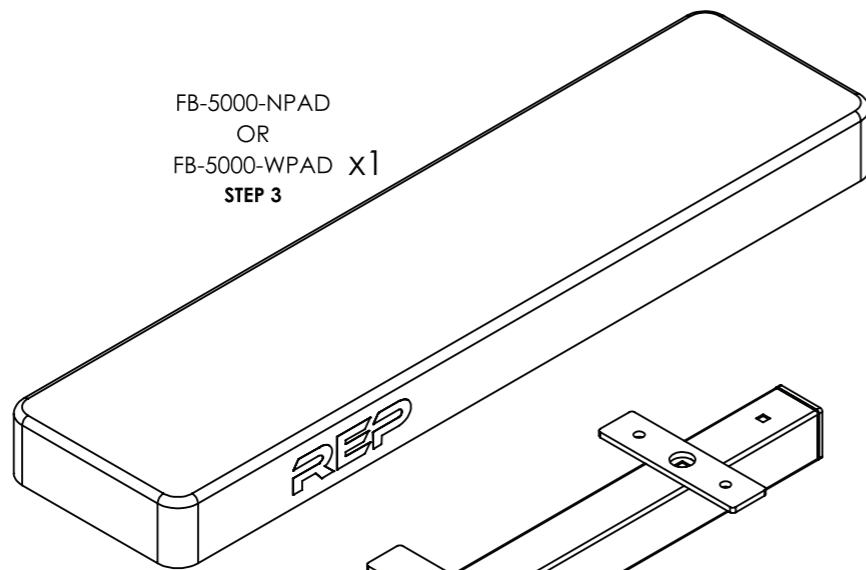
M12
10-0464
STEP 2 X2



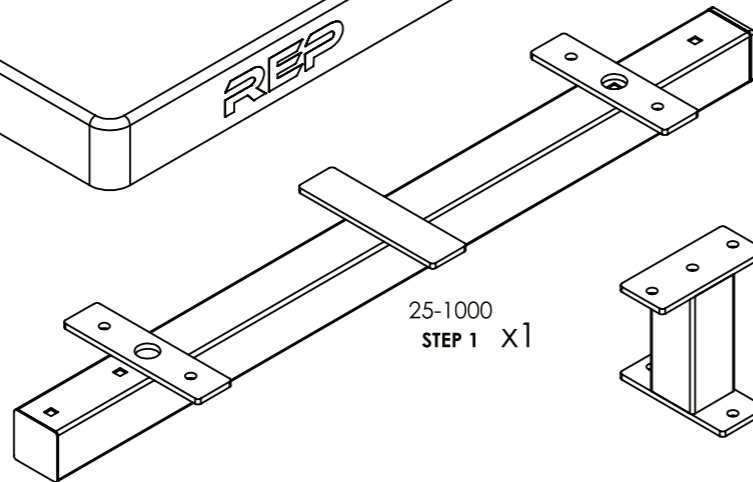
M10
10-0445
STEP 3 X4



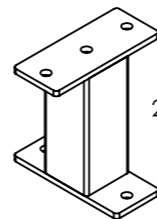
If you are missing any parts, or otherwise have any warranty issues, please file a **warranty claim** on our website:



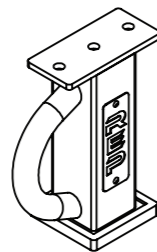
FB-5000-NPAD
OR
FB-5000-WPAD X1
STEP 3



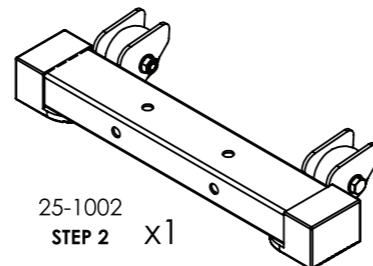
25-1000
STEP 1 X1



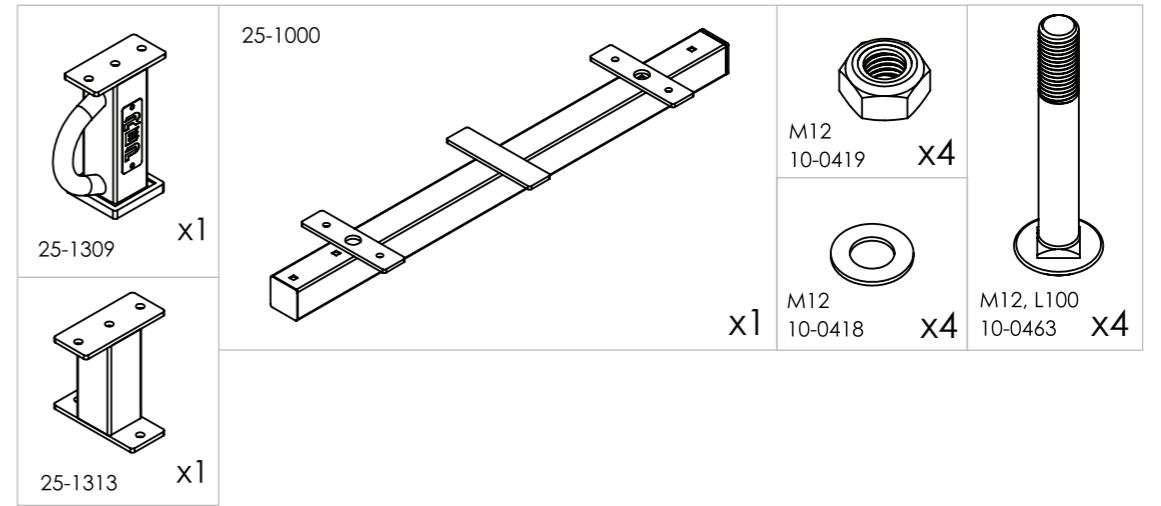
25-1313
STEP 1 X1



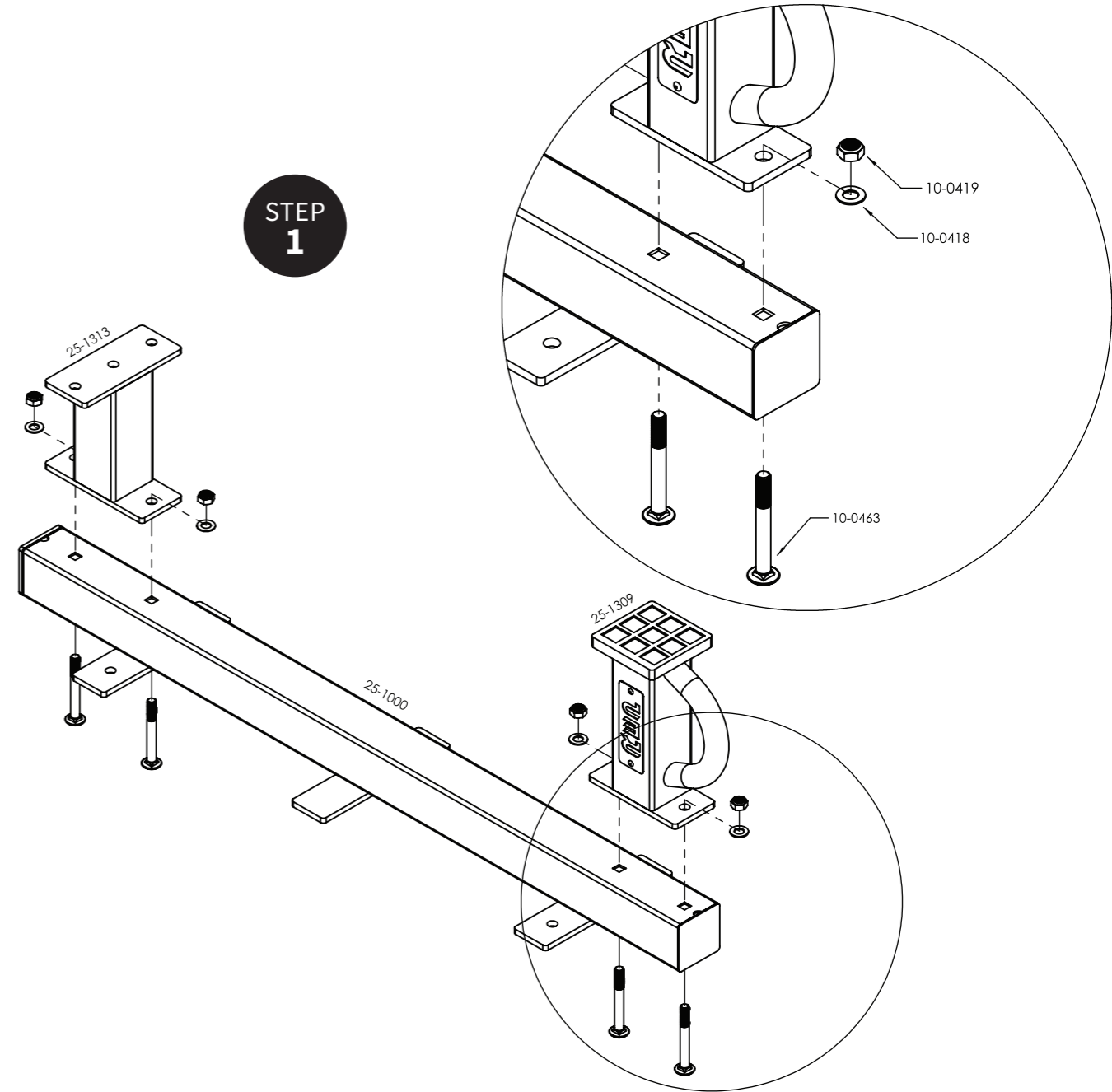
25-1309
STEP 1 X1

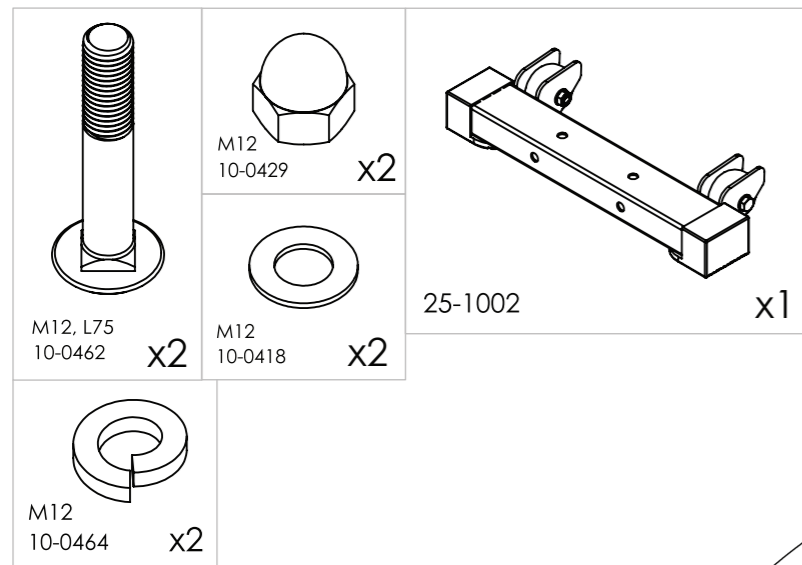


25-1002
STEP 2 X1

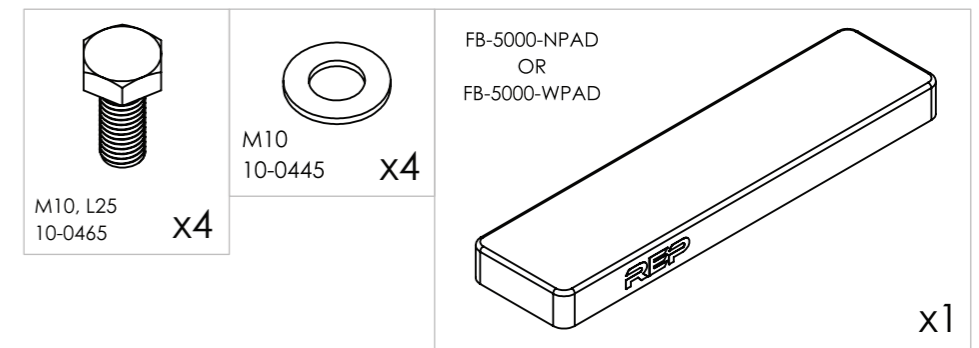
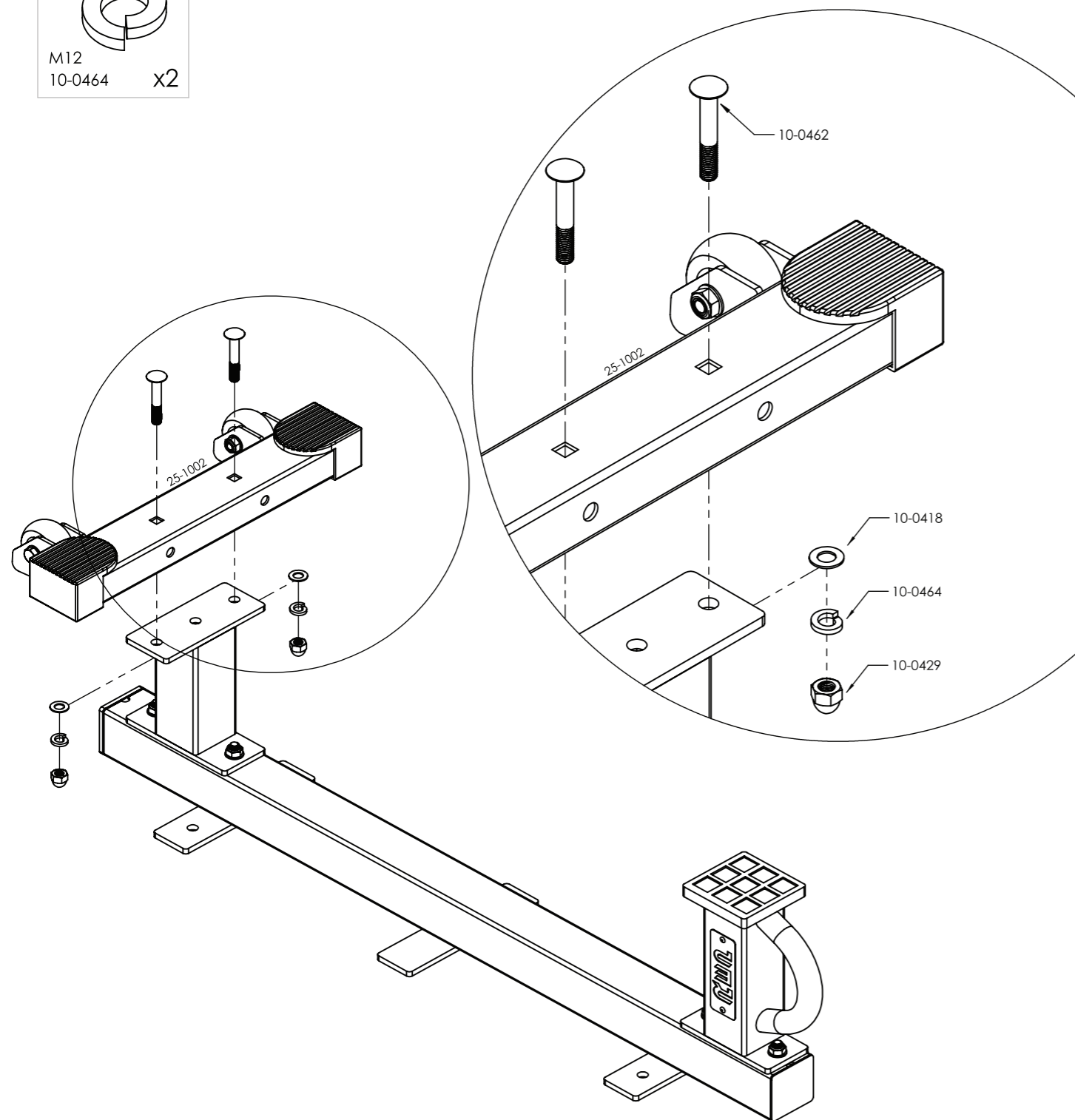


STEP 1

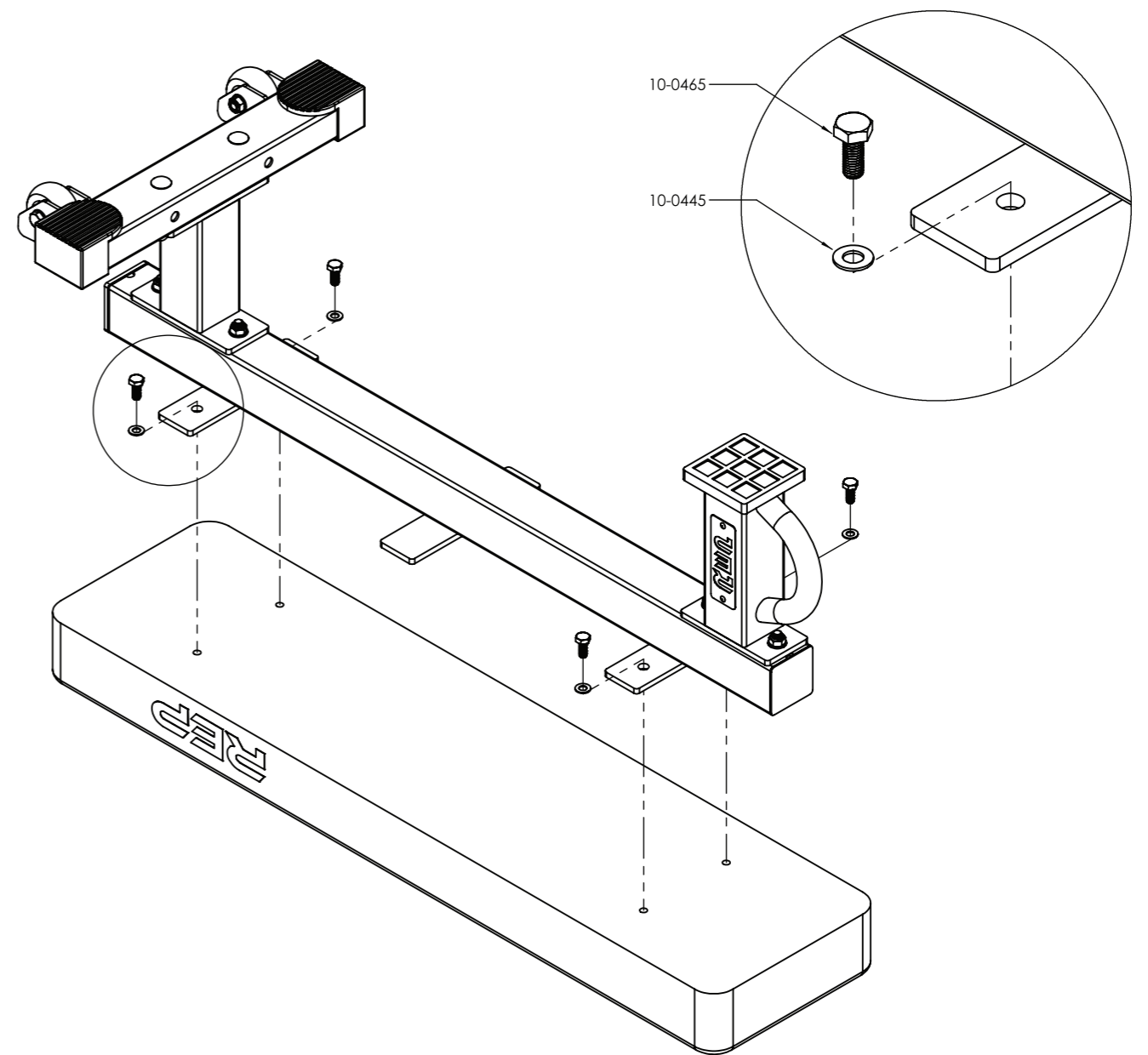




STEP 2



STEP 3



STEP 4

FLIP UPRIGHT AND FULLY TIGHTEN ALL HARDWARE